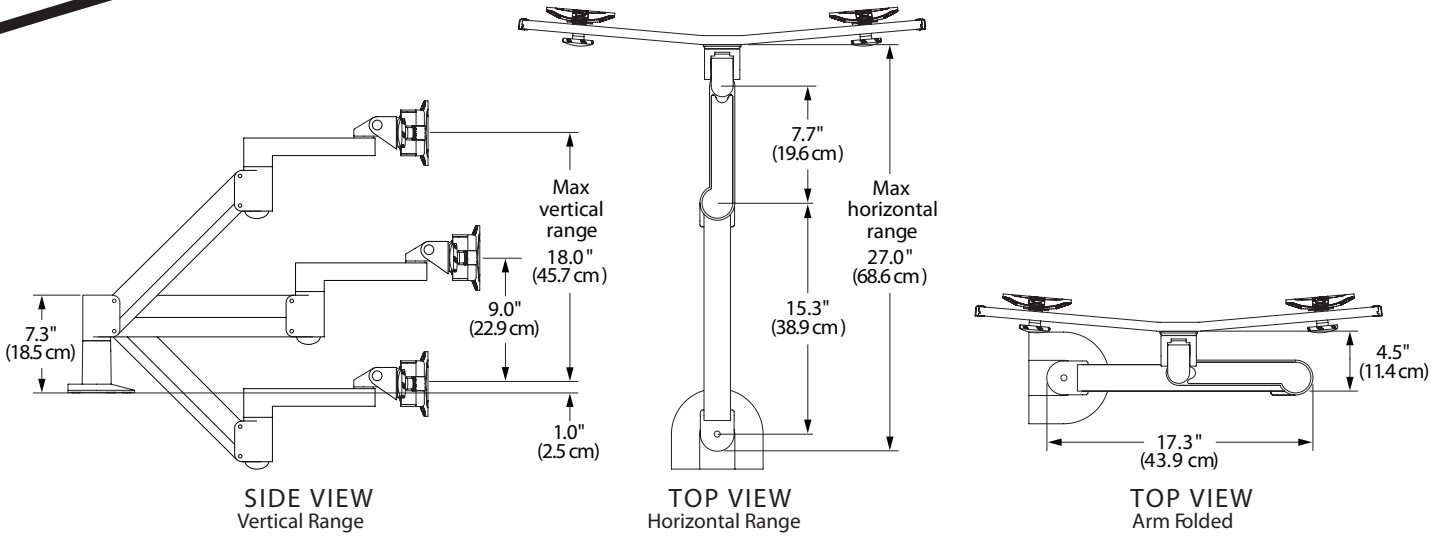


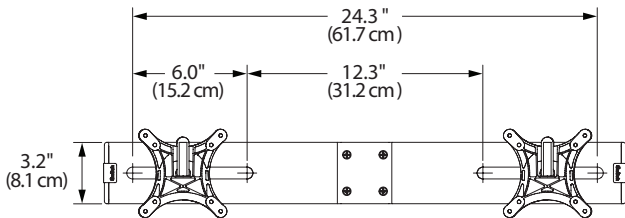
Model 7500-Wing

Specifications



- Vertical range +/- 9" (22.9 cm) from horizontal
- Horizontal range 27" (68.6 cm)
- Rotation 360 degrees at three joints
- Monitor tilt..... 200 degrees
- Monitor pivot..... Landscape to portrait
- Monitor compatibility..... VESA® 75mm and 100mm
- Cable management Cables are concealed in arm
- Mounting options..... FLEXmount™, Slatwall, Wall, Thru-Desk
- Monitor weight/model number 3.5 - 13.5 lbs (1.6 - 6.1 kg) / 7500-Wing-1000
9 - 21 lbs (4.1 - 9.5 kg) / 7500-Wing-1500

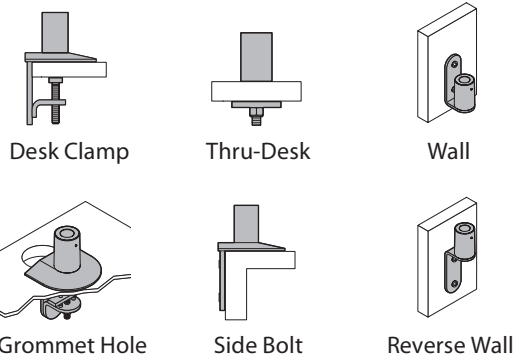
WING BRACKET CAPABILITIES



Max monitor width*.....23" (58.4 cm)** per monitor

* Monitor width is measured from end to end of the monitor as shown here:
** This measurement is based on a monitor depth of 2.5" (6.3 cm).
The depth of the monitor will have a slight effect on the overall max dimension.

FLEXMOUNT™ CONFIGURATIONS



Web: www.LCDarms.com

Uplifting
ergonomic furniture solutions

Web: www.uplifting.com.au