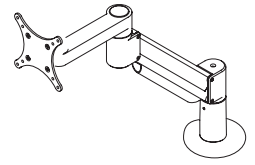


## Monitor arm 7000 and 7045 series

### Installation Instructions

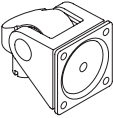
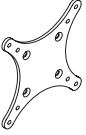

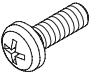
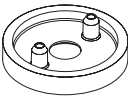
#### Desk Clamp


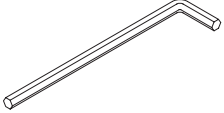

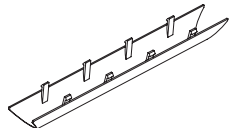
<p><b>1</b></p>	<p><b>2</b></p>	<p><b>3</b></p> <p>*Some monitors may require a spacer hardware kit. See page 2 for details.</p>
<p><b>4</b></p>	<p><b>5</b></p>	<p><b>6</b></p>
<p><b>7</b></p> <p>OPTIONAL</p>	<p><b>8</b></p>	



## Monitor arm 7000 and 7045 series

### Parts List

ITEM	DESCRIPTION / PART NO.	QUANTITY
A	 Monitor Tilter	1
B	 75/100mm VESA® Adapter Plate	1
C	 10-32 x 3/8" Phillips Flat Head Screw	1 (4-pack)
D	 M4 x 12mm Phillips Pan Head Screw	1 (4-pack)
E	 Dog Washer	1

ITEM	DESCRIPTION / PART NO.	QUANTITY
F	 10-32 x 3/8" FPHMS w/Lock Patch	1
G	 7/32" Allen Key	1
H	 3/32" Allen Key	1
I	 Cable Cap	1