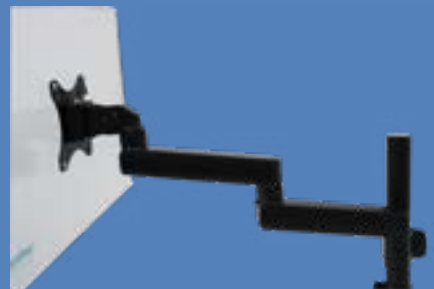


Actiflex II Modular Monitor Arms

Static & Sturdy or Agile & Flexible.
Your choice.

AGILITY THROUGH FLEXIBILITY



Static and Sturdy or Agile and Flexible. Your choice.

Actiflex II monitor arms offer a stable and versatile platform to mount computer monitors. The Actiflex system promotes wellness by allowing users to optimize viewing angles, heights, and alignment, maximize available space; and reduce cable clutter. Users can personalize their ergonomic work space by configuring modular set-ups tailored to the needs of the individual. The monitor arms, mounts, and accessories are designed with your comfort in mind. They may be configured in either static or dynamic configurations, or a combination of both.

Static: Robust and Sturdy

Actiflex II static allows custom-fit positioning, and maximizes space by elevating monitors off the work surface to desired heights, with smooth joint movement for easy position adjustments. The static range is particularly suited for multiple monitor mounts.

Dynamic: Agile and Flexible

The Actiflex II Dynamic range offers finger tip adjustment, providing superior comfort through the ability to rapidly move into any viewing position. They feature smooth, effortless gas spring movement, quick installation, and neatly tuck behind the monitor for a clean aesthetic.



SINGLE STATIC

MODEL: UP-A II Single Static		
Screen Size	Horizontal Range	Weight Range
19" - 32"	↔ 0 - 580mm	🏋️ 0 - 9kg per monitor

DUAL STATIC

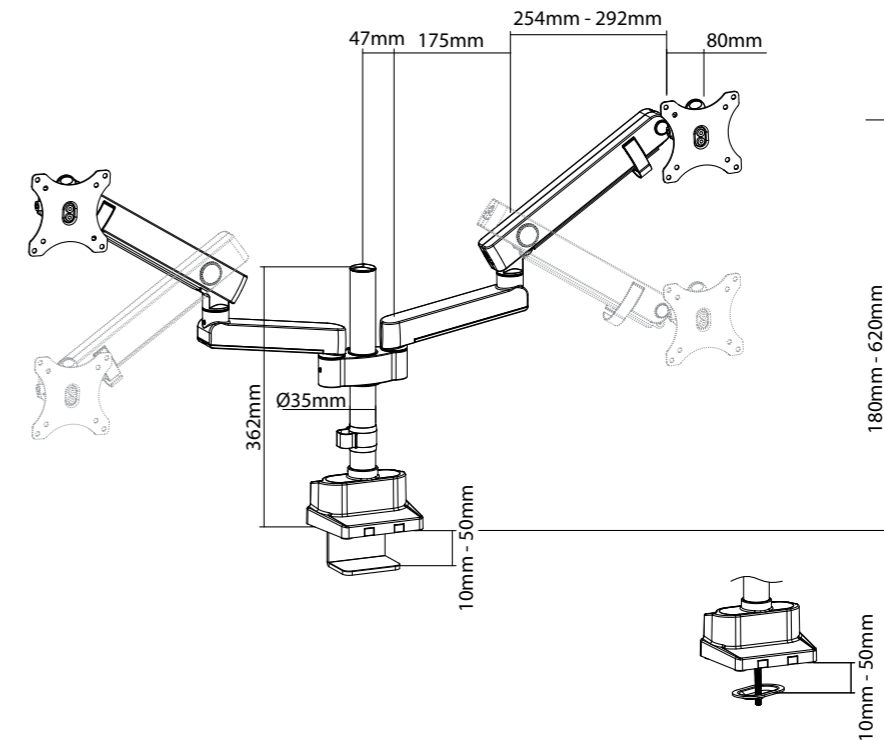
MODEL: UP-A II Dual Static		
Screen Size	Horizontal Range	Weight Range
19" - 27"	↔ 0 - 580mm	🏋️ 0 - 9kg per monitor

SINGLE DYNAMIC

MODEL: UP-A II Single		
Height Range	Horizontal Range	Weight Range
↑↓ 180 - 620mm	↔ 0 - 580mm	🏋️ 0 - 8kg per monitor

DUAL DYNAMIC

MODEL: UP-A II Dual		
Height Range	Horizontal Range	Weight Range
↑↓ 180 - 620mm	↔ 0 - 580mm	🏋️ 0 - 8kg per monitor



TRIPLE STATIC

MODEL: UP-A II Triple Static		
Screen Size	Horizontal Range	Weight Range
19" - 24"	↔ 0 - 580mm	🏋️ 0 - 9kg per monitor

QUAD STATIC

MODEL: UP-A II Quad Static		
Screen Size	Horizontal Range	Weight Range
19" - 24"	↔ 0 - 580mm	🏋️ 0 - 9kg per monitor

Easy above desk installation

Desk-clamp or through-mount installation



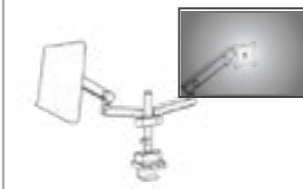
Cable Management

Cables are tucked away. Neat and tidy.



Fully Adjustable

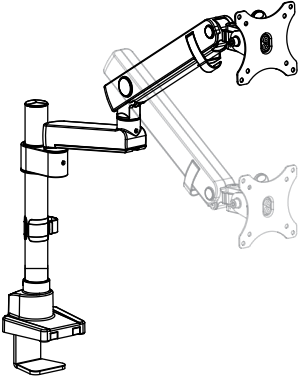
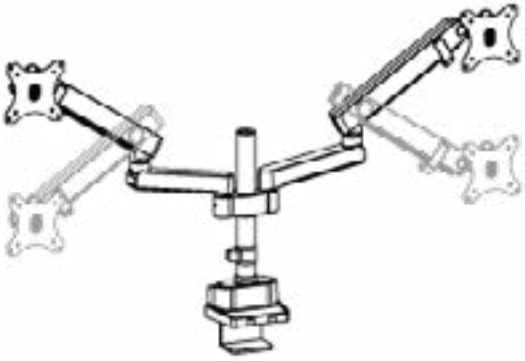

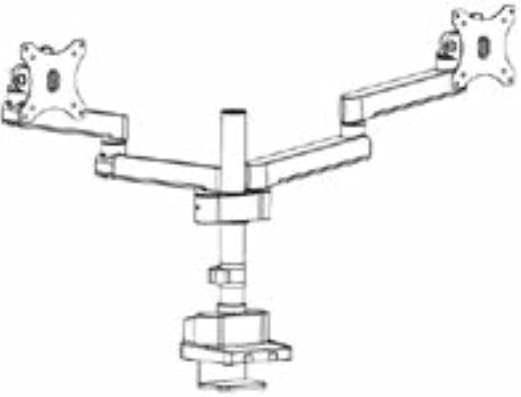
360° rotate, 180° tilt and swivel




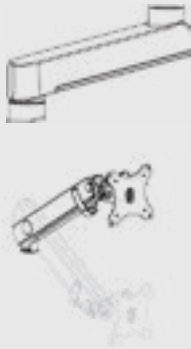




Flexible

Landscape/portrait monitor positioning. Combine with a laptop tray

Assembly Options and Accessories

	
<p>Actiflex II Dynamic Single Monitor Arm</p>	<p>Actiflex II Dynamic Dual Monitor Arm</p>
	
<p>Actiflex II Static Single Monitor Arm</p>	<p>Actiflex II Static Dual Monitor Arm</p>

					
<p>Pole 36cm & 50cm</p>	<p>Mount Single & Dual</p>	<p>Connector Single & Dual</p>	<p>Arm Static & Dynamic</p>	<p>Quick Release Tilter</p>	<p>Laptop Tray (add on)</p>