

9110 LCD Wall Mount



Made of sturdy cast aluminium by the world's largest dedicated manufacturer of monitor arms, the 9110 LCD Wall Mount is a quality solution for mounting monitors on the wall.

The monitor can be pivoted through 90°, from portrait to landscape, as well as tilted up and down 30°. The monitor is easily positioned with one hand, with no knobs to turn. Compatible with all VESA monitors, the 9110 includes 75 mm and 100 mm VESA mounting plates.



The 9110 LCD Wall Mount is a quality solution for mounting monitors on the wall.

Capabilities

- Mount depth: 103mm
- Mount width: 37mm
- Mount length: 110mm
- Pivot: -90°, +90°
- Tilt: -30°, +30°
- 75mm/100 VESA mounting pattern compatible
- Supports up to 20kg per monitor

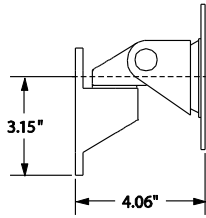
Features

- 3 years warranty

Options

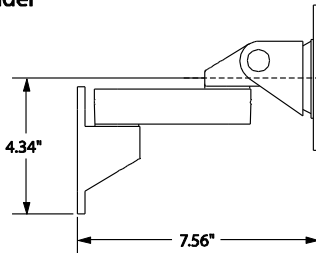
91 10

20.5 kgs
max



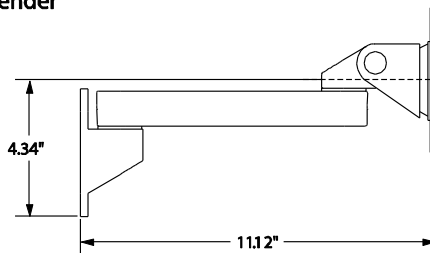
91 10 -4" extender

17.5 kgs
max



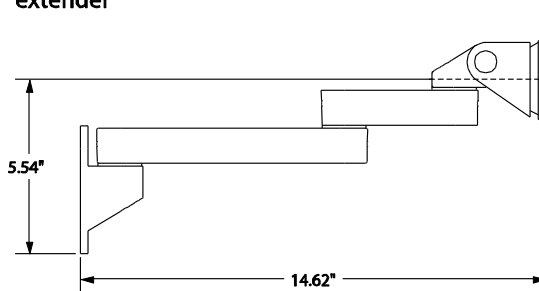
91 10 -8.5" extender

13 kgs
max



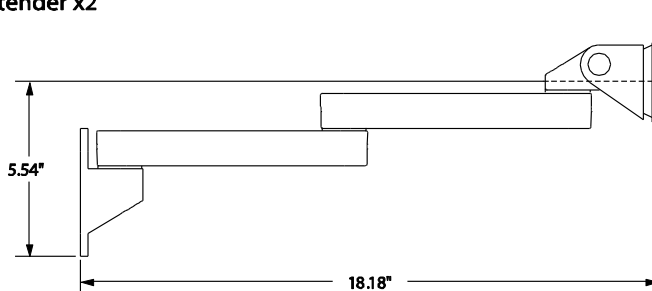
91 10 -4" & 8.5" extender

10 kgs
max

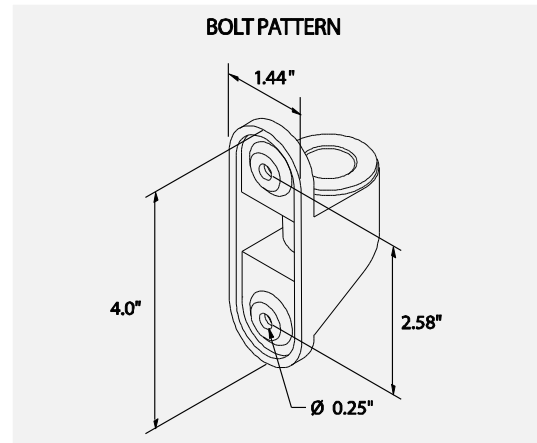


91 10 - 8.5" extender x2

8 kgs
max



BOLT PATTERN



Monitor pivot..... Landscape to Portrait
Monitor compatibility.....VESA ® 75mm and 100mm