

Actiflex Heavy Duty single monitor arm and mount



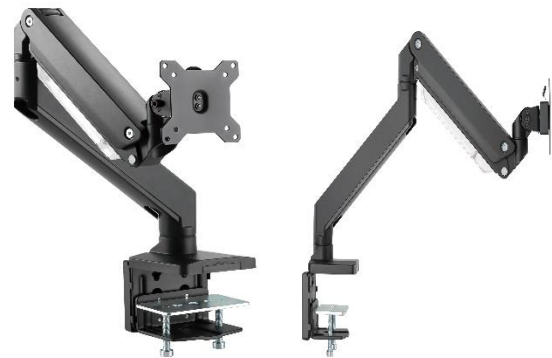
The Actiflex Heavy Duty single monitor arm floats your monitor above the work surface. It is easily adjustable, at the touch of a finger. The monitor can be tilted up in a variety of directions and the screen can be pivoted from landscape to portrait.

Integrated cable management keeps the work surface free from clutter.

The Actiflex Heavy Duty single monitor arm floats large your monitors above the work surface.

Capabilities

- Suitable for most LCD/LED monitors up to 43"
- Supports monitors up to 15kg per monitor
- Desk-clamp or through-mount included
- Easy above desk installation
- Rotate and swivel at 3 different axes
- Flexible tilter action - wide variety of angles
- 750mm/1000mm VESA mounting pattern compatible
- Quick release VESA brackets for easy monitor mounting



Features

- Easily adjustable at the touch of a finger
- Fully adjustable
- Fingertip adjustment of depth and height
- Integrated cable management

Options

- Extended warranty