

Actiflex II Dual Monitor Arm

Product Code: UP-A II Dual

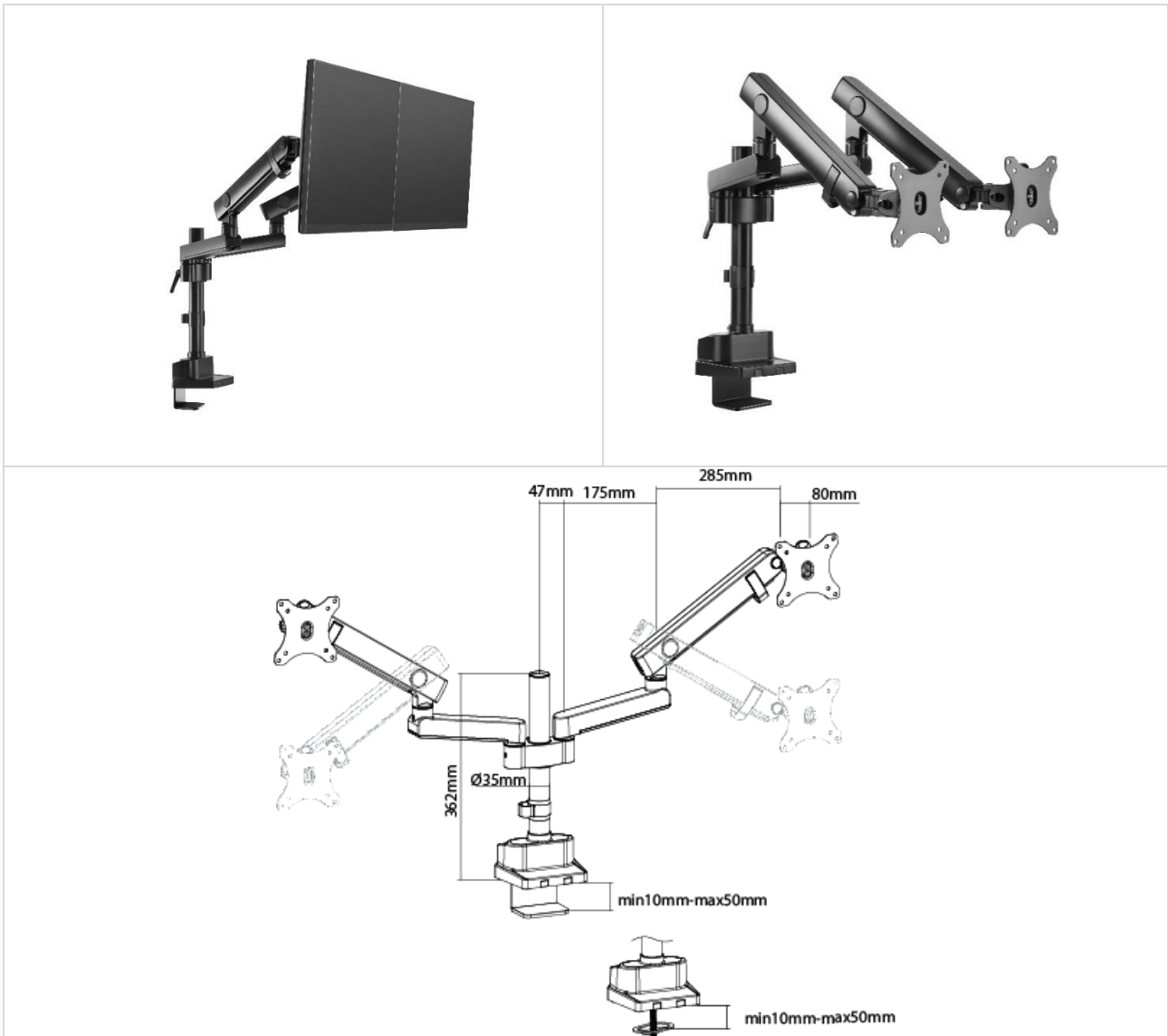


*Desk pole mount articulating single monitor arm with
cable management and height adjustment*

Features:

- Spring articulated pole mounted arms "float" monitors above desktop
- Fingertip adjustment of depth and height
- Desk-clamp or through-mount included
- Easy above desk installation
- Fully adjustable: 360° rotate, 180° tilt and swivel
- 75mm/100mm VESA mounting pattern compatible
- Quick release VESA brackets for easy monitor mounting
- Integrated cable management
- Supports up to 8kg per monitor
- Suitable for most LCD/LED monitors up to 27" size
- Compatible with most curved monitors

Actiflex II Dual Monitor Arm



Capabilities

Height range	110mm - 600mm (centre VESA)
Adjustable height range	490mm
Pole Height	360mm
Pole Diameter	34mm
Horizontal reach range	0 - 580mm (centre VESA)
Screen Size	17"-27"
Monitor tilt	0 - 180 degrees both vertical and horizontal
Monitor pivot	Landscape and portrait – 360 degrees
Monitor compatibility	VESA 75mm and 100mm
Mounting options	Desk clamp or Grommet mount
Monitor weight	0 - 8kg per monitor