

Point of Sale Mount - Model 9189



Adjustable Through-Counter Mount

Features

- Supports monitors, signature capture devices, kiosks & more
- Tube passes through counter
- Pivot and turn monitor – lock monitor in place if desired
- Internal cable routing – cables pass through counter, remaining out of view
- Durable construction stands up to retail use and abuse
- Fast setup

Options

- Additional 9191 tilter and yoke
- Additional 9191 tilter, yoke and cradle
- Additional cradle (only the Point of Sale Mount - Model 9189-12)

This height-adjustable mount passes through the counter. Integrated cable management keep cables safe and out of view. Three sizes provide height adjustment ranging from 12" to 24".



Quickly adjust monitor height



Second configuration to mount a POS cradle bracket or any other point of sale device.

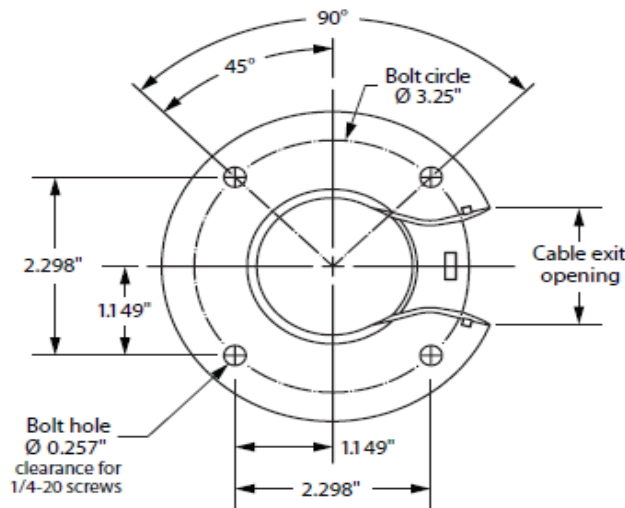


Easily tilt monitor to desired angle

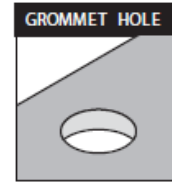


Keep cables safe and out of view with Innovative's integrated cable management

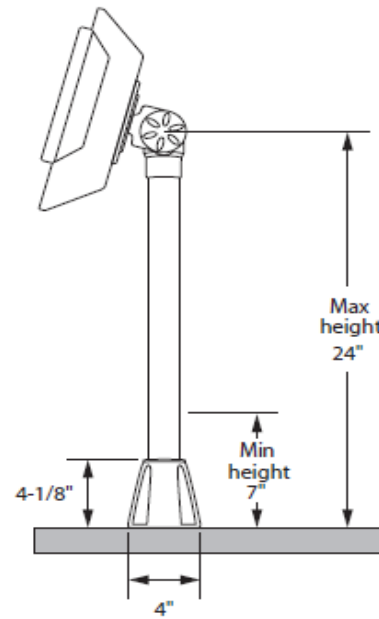
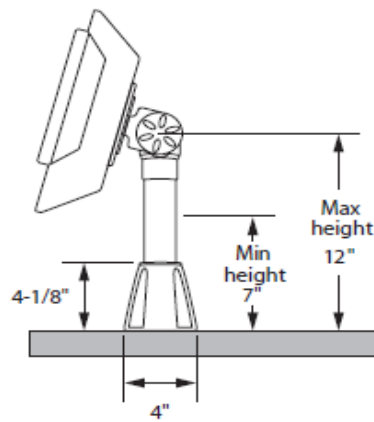
Capabilities



BOLT PATTERN
Bottom View of Mount



1-13/16" minimum grommet hole is needed for pole to pass through counter
(2-3/8" standard grommet hole is also compatible)



MODEL	9189-12	9189-24
HEIGHT RANGE	7" - 12" (178mm - 305mm)	7" - 24" (178mm - 610mm)
MONITOR WEIGHT	Up to 16kg*	Up to 16kg*
MONITOR SIZE	Up to 27"	Up to 36"

* Through desk tube adjustment not recommended for monitors in excess 6 kg in weight